

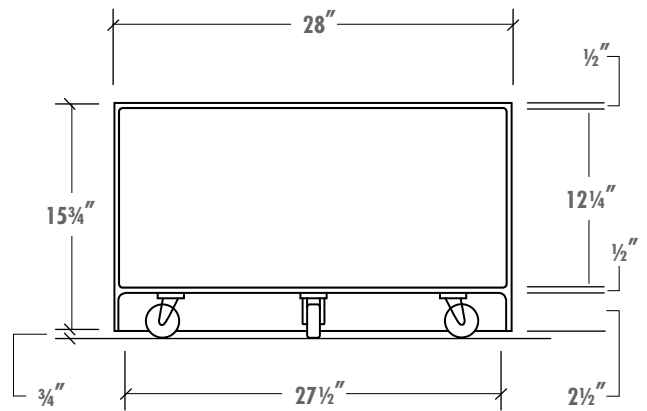
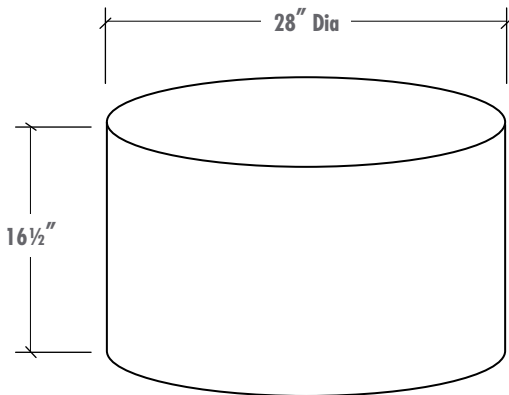
# BRASSY BOY



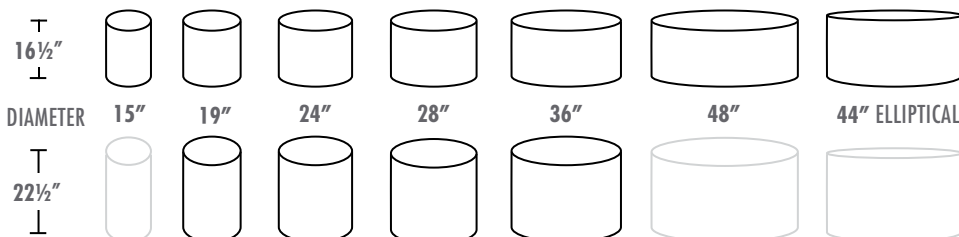
OSO INDUSTRIES



The Brassy Boy is similar to our Rollerboys, but with a brass-plated steel body, finished with an antiqued brass finish and a clear laquer coating. Constructed with recessed locking casters, the Brassy Boy floats with a three-quarter inch space between the walls and the floor, and can be used indoors and out.



The Rollerboy Family is available in the following sizes.



**OSOINDUSTRIES.COM**  
**GREENPOINT**  
**MANUFACTURING**  
**AND DESIGN CENTER**  
**1205 MANHATTAN AVE.**  
**SUITE 1-1-3**  
**BROOKLYN, NY 11222**

