

# OPEN ROLLER

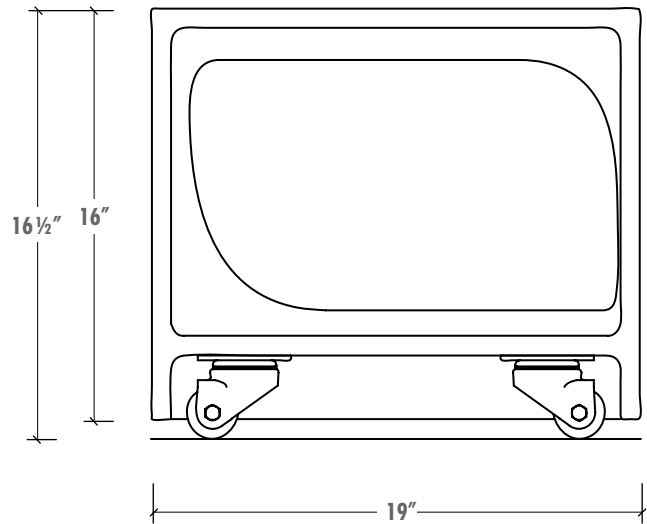
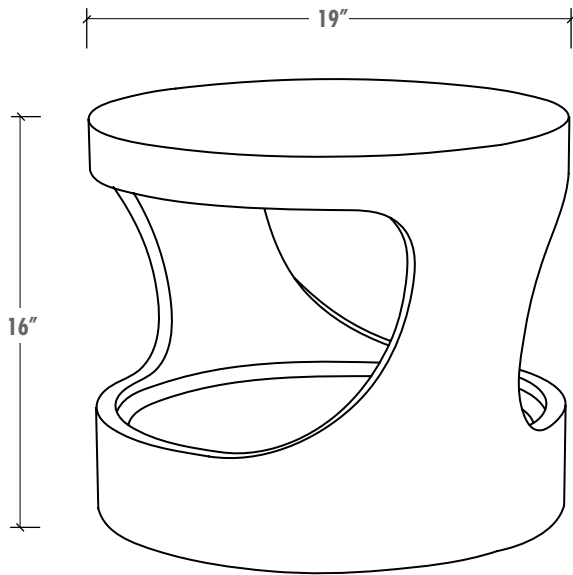
---



OSO INDUSTRIES

# OPEN ROLLER

The Open Roller is the newest member of our Roller family, with curving, angled openings to create a super functional table, chair, ottoman, and more. It features our signature Crete finish with pieces of clear, crushed glass and a disc of blackened steel for the interior shelf. The Open Roller glides around on recessed locking casters for ultimate utility.



CHESTNUT



TEAL



BLACK



WHITE

## CONCRETE COLORS

Our concrete furniture line is available in any of our 12 standard cast concrete colors. Shown at left are our signature cast concrete finishes, which are honed and brought to a high polish. Custom colors can be made by request.



CHARCOAL



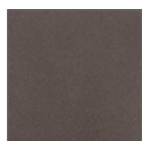
SMOKE



GREY



ASH



LEATHER



TAUPE



SAND



TAN



[OSOINDUSTRIES.COM](http://OSOINDUSTRIES.COM)

**GREENPOINT MANUFACTURING  
AND DESIGN CENTER  
1205 MANHATTAN AVE.  
SUITE 1-1-3  
BROOKLYN, NY 11222**