

# STACK SHELF

OSO INDUSTRIES



Quad Stack ▶  
with two 64"  
Antique Brass  
brackets set 16"  
apart. 32" shelves  
in concrete color  
Leather.



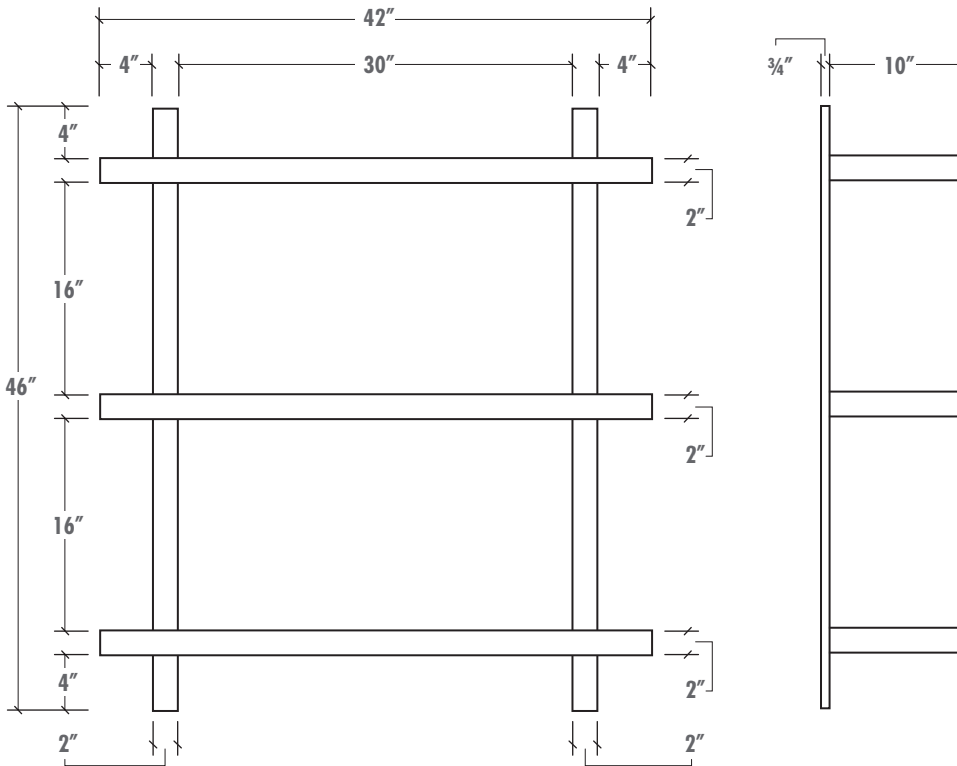
▲ Double Stack with two 28" Blackened  
Steel brackets set 32" apart. 42" shelves  
in concrete color Charcoal.

Quad Stack with two 64" and one 28" ▶  
Antique Brass brackets set 16" apart,  
two 32" shelves and two 48" shelves  
in concrete color Leather.



# STACK SHELF

The Stack Shelves are a customizable shelving system with crisp slabs of highly polished colored concrete that appear to float off the wall in front of vertical metal bars. The shelves are available in several lengths, twelve concrete colors, and five types of metal (antiqued brass, polished brass, satin nickel, polished stainless steel, and blackened steel). Using brackets set at either 16" or 32" apart, one can create a personalized combination of two or more shelves, and the shelves can be arranged to span across two, three, or even four brackets. Easily mountable to most walls, the Stack Shelves are surprisingly light; the 32" wide shelf weighs only 18 pounds.



## MATERIALS

Shelves are integrally colored concrete; brackets can be antiqued or polished brass, blackened steel, satin nickel, or polished stainless steel

## DIMENSIONS

Shelves are available in standard widths of 32", 42", 48", and 74" — custom layouts are also available. Brackets are available in Double, Triple, and Quad lengths — 28", 46" and 64".



## CONCRETE COLORS

Our concrete furniture line is available in any of our 12 standard cast concrete colors. Shown at left are our signature cast concrete finishes, which are honed and brought to a high polish. Custom colors can be made by request.



[OSOINDUSTRIES.COM](http://OSOINDUSTRIES.COM)

**GREENPOINT MANUFACTURING  
AND DESIGN CENTER  
1205 MANHATTAN AVE.  
SUITE 1-1-3  
BROOKLYN, NY 11222**